

TAURUS200

JOMOR
HEALTHCARE



A new generation light weight aluminium lifter evolved from the needs of the carer.



PRODUCT DESCRIPTION

Aluminium Standing Aid Taurus 7201.

- Aluminium lift with a Safe Working Load (SWL) of 200kg
- Linak powered lifting function
- Foot pedal control for base width adjustment
- Equipped with 75mm front castors and 75mm lockable rear castors
- Soft Polyurethane (PU) knee pads provide comfort
- Knee pads are adjustable in width, height and angle
- Flip up footplate with non-slip rubber grip
- Easy access emergency stop button
- Electric and manual emergency lowering devices
- Anti-entrapment feature – lowering of boom stops on resistance



PU knee pads are water repellent and comfortable *



Boom length adjustment for patients of varying heights



Width adjustable PU knee pads *



Simple adjustment of base width with foot pedal

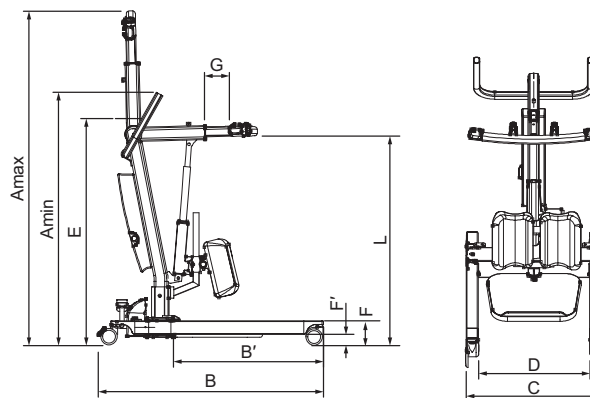


Height adjustable PU knee pads *



Rear castors with brakes for security

* Kneepads shown in alternate colour for clarity.



ITEM NO	MAX LOAD	L		A		B	B1	C	D	E	F	F1	G	NW	Turning Diameter
		MAX	MIN	MAX	MIN										
7201	200	140	89	145	93	98	65.7	59.5~89.5	49~79	100	11	5.5	0~12	30kg	106

* All measurements are shown in centimetres.

Jomor Healthcare Pty Ltd
 Phone: 1300 651 235
 Web: jomor.com.au
 Email: sales@jomor.com.au

