

NEOS I 50 FOLDING

JOMOR
HEALTHCARE



A new generation light weight aluminium lifter evolved from the needs of the carer.



PRODUCT DESCRIPTION

Folding Aluminium lift Neos 7107.

- Aluminium lift with a Safe Working Load (SWL) of 150kg
- Folding design for convenient storage and transfer
- Linak powered lifting function
- Foot pedal control for base width adjustment
- Strong and comfortable handles for easy manoeuvring
- Equipped with 75mm front castors and 100mm lockable rear castors
- Jumbo Care diagnostic control and service monitor system
- Easy access emergency stop button
- Electric and manual emergency lowering devices
- Anti-entrapment feature – lowering of boom stops on resistance



Simple adjustment of base width with foot pedal



Rear castors with brakes for security



Quick release yoke



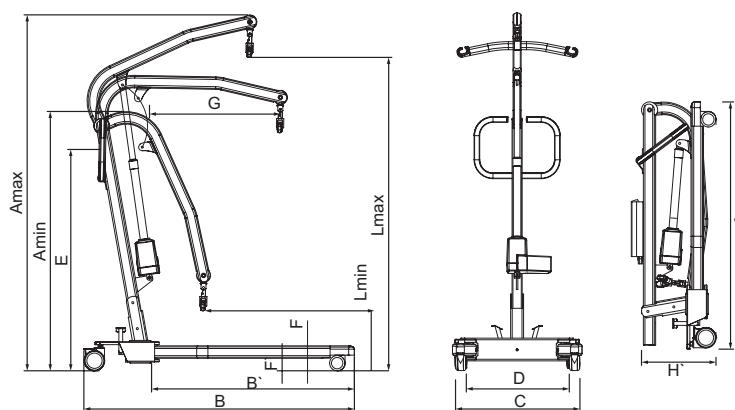
Quick release folding mast



Retractable base width for storage



Neos shown folded for ease of storage and transfer



ITEM NO	MAX LOAD	L		A		B	B1	C	D	E	F	F1	G	H	J	NW	Turning Radius
		MAX	MIN	MAX	MIN												
7107	150	165	41	185	137	129	95	61.5-96.5	55-89	121	7.2	13.5	44	46	123	35kg	135

* All measurements are shown in centimetres.

Jomor Healthcare Pty Ltd

Phone: 1300 651 235

Web: jomor.com.au

Email: sales@jomor.com.au

JOMOR
HEALTHCARE