



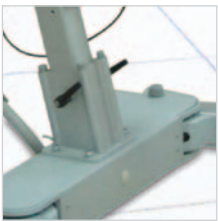
A new generation light weight aluminium lifter evolved from the needs of the carer.



PRODUCT DESCRIPTION

Compact Aluminium lift Micros 7108.

- Aluminium lift with a Safe Working Load (SWL) of 130kg
- Linak powered lifting function
- Foot pedal control for base width adjustment
- Strong and comfortable handles for easy manoeuvring
- Equipped with 75mm front castors and 75mm lockable rear castors
- Jumbo Care diagnostic control and service monitor system
- Easy access emergency stop button
- Electric and manual emergency lowering devices
- Anti-entrapment feature – lowering of boom stops on resistance



Quick release mast



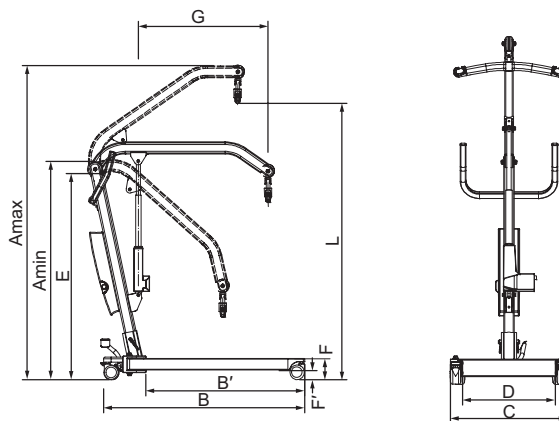
Rear castors with brakes for security



Simple adjustment of base width with foot pedal



Extra low 34cm lifting height to allow floor lifts



ITEM NO	MAX LOAD	L		A		B	B1	C	D	E	F	F1	G	NW	Turning Radius
		MAX	MIN	MAX	MIN										
7108	130	151	30	173	103	104	82	57.6~94.2	47.4~84.2	94.5	11.2	5.4	89.5	31kg	117

* All measurements are shown in centimetres.

Jomor Healthcare Pty Ltd
 Phone: 1300 651 235
 Web: jomor.com.au
 Email: sales@jomor.com.au

