

KRATOS320

JOMOR
HEALTHCARE



A new generation light weight aluminium lifter evolved from the needs of the carer.



PRODUCT DESCRIPTION

Bariatric Aluminium lift Kratos 7102.

- Aluminium lift with a Safe Working Load (SWL) of 320kg
- Linak powered lifting function and base width adjustment
- Fold down armrests add reassurance and stability for the patient when gait training
- Equipped with 100mm front castors and 125mm lockable rear castors
- LA 44 actuator which exceeds European standards
- Jumbo Care diagnostic control and service monitor system
- Easy access emergency stop button
- Electric and manual emergency lowering devices
- Anti-entrapment feature – lowering of boom stops on resistance



Powered base width adjustment



Quick release, extra wide, four point yoke



Fold down armrests for gait training



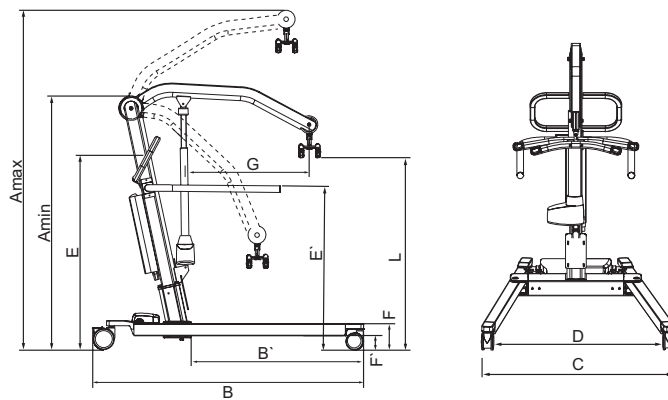
Armrests shown when not in use



Adjustable mast height – 3 positions



Rear castors with brakes for security



ITEM NO	MAX LOAD	L		A		B	B1	C	D	E	F	F1	G	NW	Turning Radius
		MAX	MIN	MAX	MIN										
7102	320	196	67.5	216.5	156.5	150.5	92.5	76.5~119	64~106.5	121	15.5	8.5	100	61kg	159
		191	62.5	211.5	151.5					118					
		186	57.5	206.5	146.5					113					

* All measurements are shown in centimetres.

Jomor Healthcare Pty Ltd

Phone: 1300 651 235

Web: jomor.com.au

Email: sales@jomor.com.au

JOMOR
HEALTHCARE