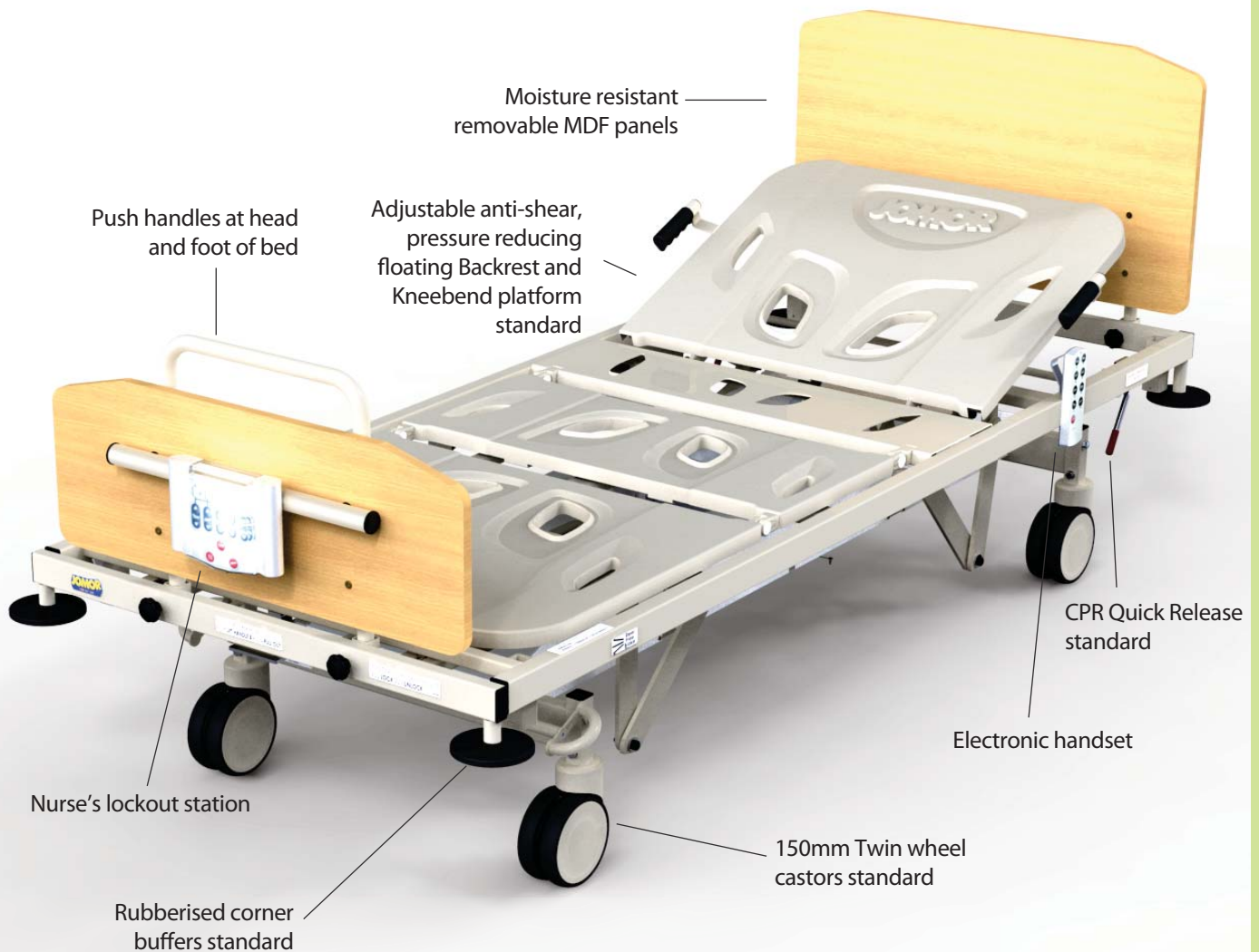


**JOMOR**  
HEALTHCARE

*Quality - Value - Design*

# VENUS

## *Electronic Hospital Bed*



Jomor Healthcare "Venus" - Electronic Hospital Bed

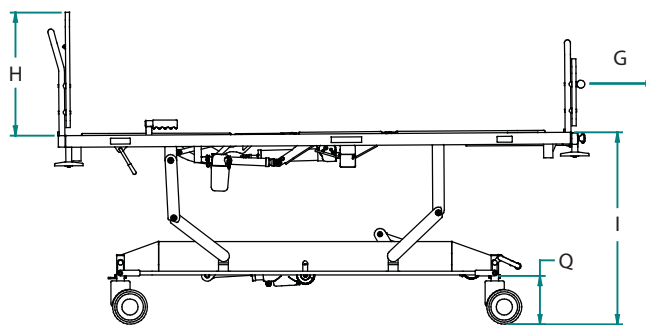
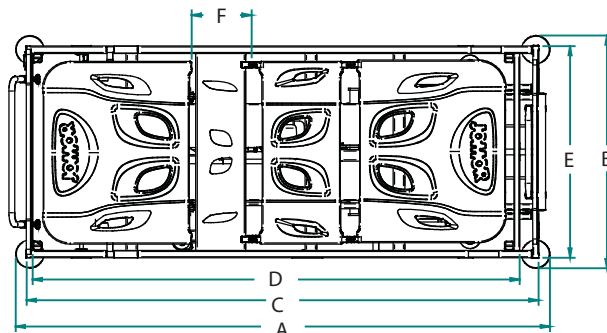
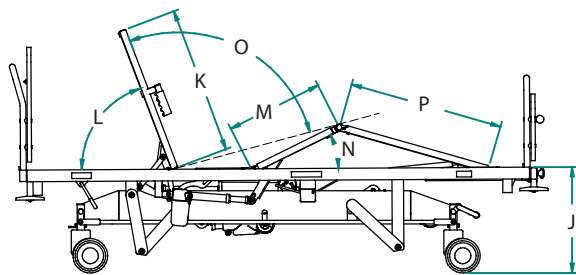
## TECHNICAL SPECIFICATIONS



CPR Quick Release

Bed Size	Long Single	King Single	Narrow Long Single
A Overall Length	2250	2250	2250
B Overall Width	1000	1150	840
C Platform Length	2130	2130	2130
D Mattress Length	2030	2030	2030
E Mattress Width	920	1070	760
F Hip Section Length	260	260	260
G Platform Extension	150	150	150
H Head Panel Height	500	500	500
I High Height	790	790	790
J Low Height	405	405	405
K Backrest Length	625	625	625
L Backrest MAX Angle	71	71	71
M Knee Section Length	381	381	381
N Knee Section Angle	26	26	26
O Compliance Angle	92	92	92
P Foot Section Length	625	625	625
Q Max Hoist Clearance	210	210	210
Trendelenburg	±15°	±15°	±15°
Safe Working Load	250kg	250kg	250kg

\*NOTE: All dimensions are in millimeters or degrees, all height dimensions are for the bed with standard 150mm castors, for 125mm castors subtract 25mm from height dimensions



## FUNCTIONS & FEATURES

### Bed Platform and Base

- Easily cleaned & removable ABS plastic deck panels
- OH&S friendly design including corner buffers
- Excellent hoist clearance
- Strong and durable (Australian Standard) construction
- 4 x 150mm central track locking castors
- Provision for accessories (Self Help Pole, IV Pole, etc.)

### Styling

- Removable, stylish head and foot panels/variations
- MDF Panels with rounded corners
- Antique Cream or Beech colour standard (Alternative colours are available)
- Quality rust-proofed epoxy powder coated heavy-duty steel frame

### Warranties

- Steel Construction 15 yrs
  - Electronics 3 yrs
  - Castors 3 yrs
- Regular service arrangements available

### Latest Innovative Features

- New! Anti shear, pressure reducing floating backrest
- New! Jo-pivot bush - smooth, silent and durable
- New! - Increased load capacity
- Standard - 150mm telescopic platform extension
- Standard - Nurse's station function safety lock-out
- Standard - Rechargeable battery back up
- Standard - Handset hook
- Standard - Electronic Knee-bend and leg lift

## OPTIONS & ACCESSORIES

- Fold down side rails
- Overhead self help pole with molded triangle grip
- Base mounted wall buffer
- IV infusion pole
- Clamp-on bed stick
- Fill-in cushion bolster
- Fold down bed stripper foot panel
- Alternative castor sizes
- Full range of pressure reducing mattresses
- Urine bag holder
- Underbed illumination

For more information contact:

**Jomor Healthcare P/L** 308 Lower Dandenong Road  
Mordialloc, VIC 3195  
**ph: 1300 651 235 fax: (03) 9588 2255**  
**email: sales@jomor.com.au web: www.jomor.com.au**



Jomor Healthcare "Venus"  
Electronic Hospital Bed

**JOMOR**  
HEALTHCARE  
Quality - Value - Design



Quality Endorsed Company  
ISO 9001 Lic 23838  
SAI Global