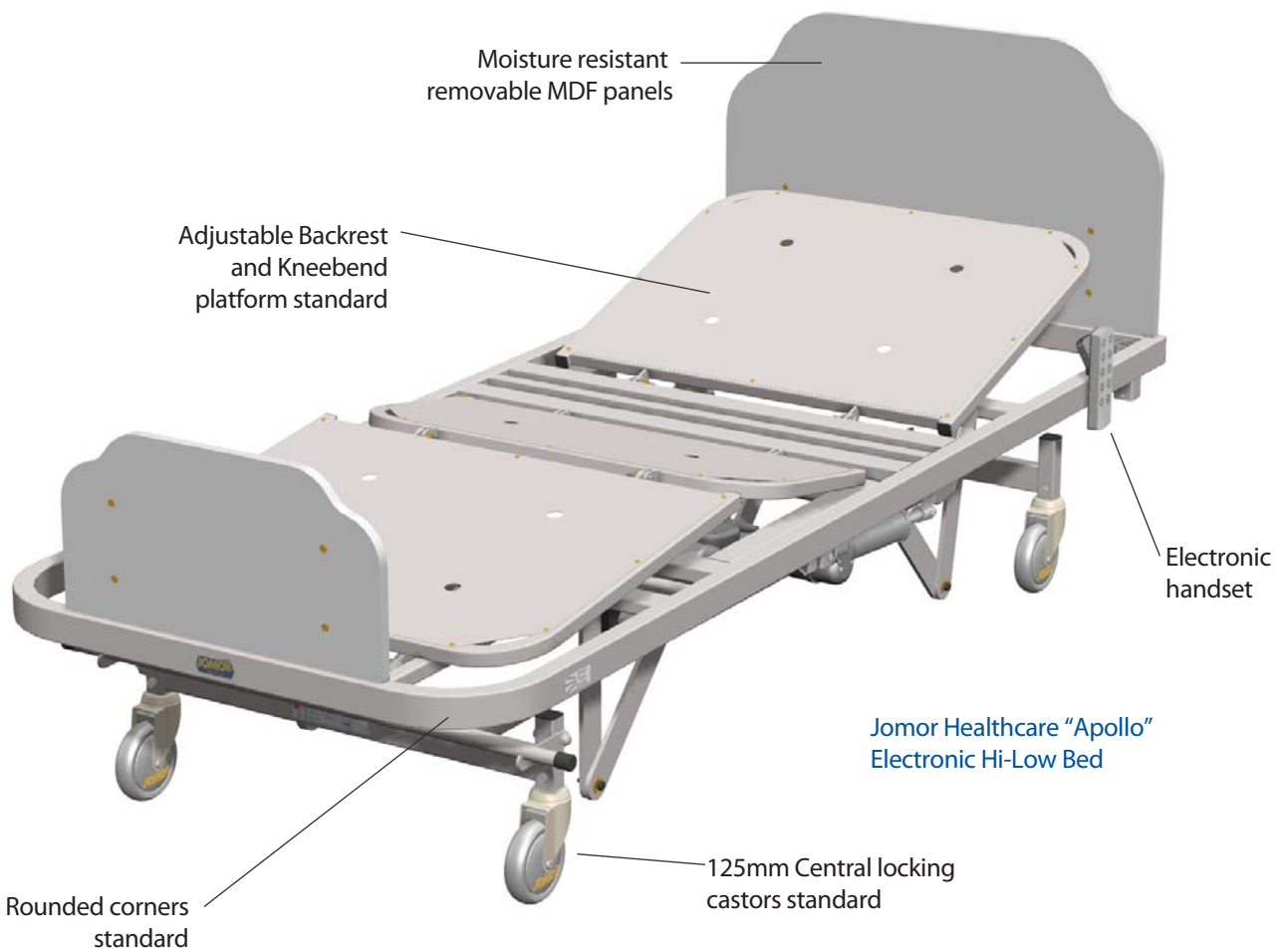




Quality - Value - Design

APOLO

Electronic Hi-Low Bed



Narrow Long Single



Long Single



King Single



Long Double

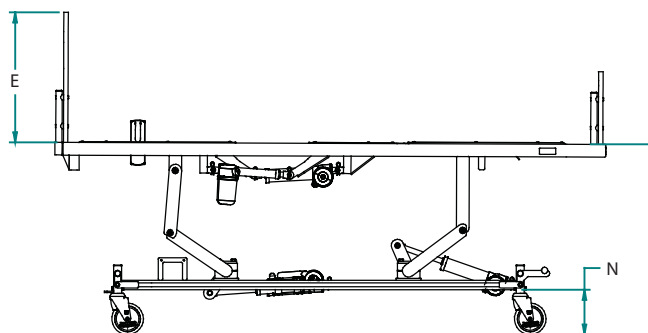
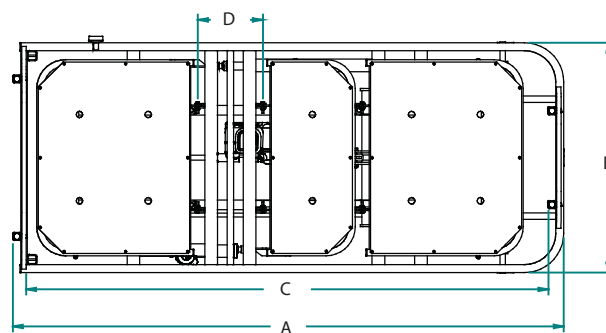
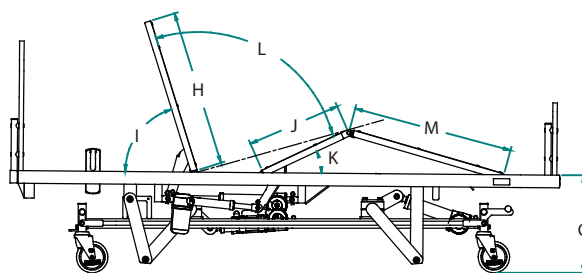


Queen

TECHNICAL SPECIFICATIONS

	Bed Size	Narrow Long Single	Long Single	King Single	Long Double	Queen
A	Overall Length	2250	2250	2250	2250	2250
B	Overall/Mattress Width	760	920	1070	1370	1520
C	Mattress Length	2030	2030	2030	2030	2030
D	Hip Section Length	260	260	260	260	260
E	Head Panel Height	500	500	500	500	500
F	High Height	775	775	775	775	775
G	Low Height	390	390	390	390	390
H	Backrest Length	625	625	625	625	625
I	Backrest MAX Angle	71	71	71	71	71
J	Knee Section Length	381	381	381	381	381
K	Knee Section Angle	26	26	26	26	26
L	Compliance Angle	92	92	92	92	92
M	Foot Section Length	625	625	625	625	625
N	Max Hoist Clearance	179	179	179	179	179
	Trendelenburg	±15°	±15°	±15°	±15°	±15°
	Safe Working Load	250kg	250kg	250kg	250kg	250kg

*NOTE: All dimensions are in millimeters or degrees, all height dimensions are for the bed with standard 150mm castors, for 125mm castors subtract 25mm from height dimensions



FUNCTIONS & FEATURES

Bed Platform and Base

- Easily cleaned sheetmetal deck panels
- OH&S friendly design including rounded corner
- Excellent hoist clearance
- Strong and durable (Australian Standard) construction
- 4 x 125mm central track locking castors
- Provision for accessories (Self Help Pole, IV Pole, etc.)

Styling

- Removable, stylish head and foot panels/variations
- MDF Panels with rounded corners
- Antique Cream colour standard (Alternative colours are available)
- Quality rust-proofed epoxy powder coated heavy-duty steel frame

Warranties

- Steel Construction 15 yrs
- Electronics 3 yrs
- Castors 3 yrs
- Regular service arrangements available

Latest Innovative Features

- New! Jo-pivot bush - smooth, silent and durable
- New! - Lower low height
- Standard - Central Locking Castors
- Standard - Handset hook
- Standard - Electronic Knee-bend and leg lift

OPTIONS & ACCESSORIES

- Fold down side rails
- Overhead self help pole with molded triangle grip
- Base mounted wall buffer
- Clamp-on bed stick
- Platform extension with fill-in cushion bolster
- Fold down bed stripper foot panel
- Alternative castor sizes
- Full range of pressure reducing mattresses
- Urine bag holder



Jomor Healthcare "Apollo" Electronic Hi-Low Bed

For more information contact:

Jomor Healthcare P/L 308 Lower Dandenong Road
Mordialloc, VIC 3195
ph: 1300 651 235 **fax:** (03) 9588 2255
email: sales@jomor.com.au **web:** www.jomor.com.au

JOMOR
HEALTHCARE
Quality - Value - Design

